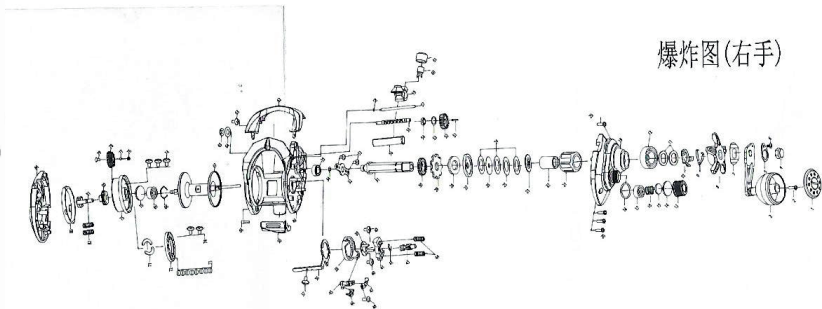
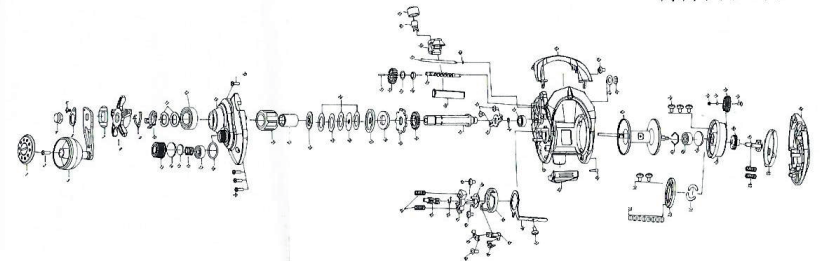


List of quantity parts

- | | |
|----------------------------|--------------------------|
| 1. Hand cover | 43. Clutch teeth |
| 2. Screw | 44. Spring |
| 3. Hand | 45. Clutch claw |
| 4. Nut | 46. Torsion spring |
| 5. Locking plate | 47. Clutch claw piece |
| 6. Screw | 48. Screw |
| 7. Gasket | 49. Bracket |
| 8. Star handle | 50. Button |
| 9. Voice of spring | 51. Bolt |
| 10. Voice of spring seat | 52. Wire arranging teeth |
| 11. Saddle pad | 53. Shim |
| 12. Bearing | 54. Bearing |
| 13. Nut | 55. Guide rod |
| 14. Shim | 56. Guide rod sheath |
| 15. Gasket | 57. Guide rod |
| 16. Spring | 58. Card |
| 17. Bearing | 59. Conductor |
| 18. O-rings | 60. Guide claw |
| 19. The main cover | 61. Nut |
| 20. Screw | 62. Front cover |
| 21. Single bearing | 63. Screw |
| 22. The set of | 64. Gasket |
| 23. Friction slices | 65. Card |
| 24. Brake pads | 66. Fixing pin |
| 25. Static friction slices | 67. Thread wheel |
| 26. Friction slices | 68. Circlip |
| 27. Tooth plate | 69. Bearing |
| 28. Friction plate | 70. shim |
| 29. Ratchet | 71. Magnet holder |
| 30. The shaft | 72. Magnet bracket |
| 31. Transmission shaft | 73. Magnet |
| 32. Fixed plate | 74. Screw |
| 33. Screw | 75. Reel cover |
| 34. Card | 76. Spring |
| 35. Bearing | 77. Steel ball |
| 36. Clutch plate | 78. Twist adjustment |
| 37. Screw | 79. Screw |
| 38. Clutch cam | 80. Magic speed cam |
| 39. Clutch pressure plate | 81. Retarder bracket |
| 40. Screw | 82. Spring |
| 41. Clutch | 83. Switch |
| 42. Shim | 84. Side cover |



爆炸图(右手)



爆炸图(左手)